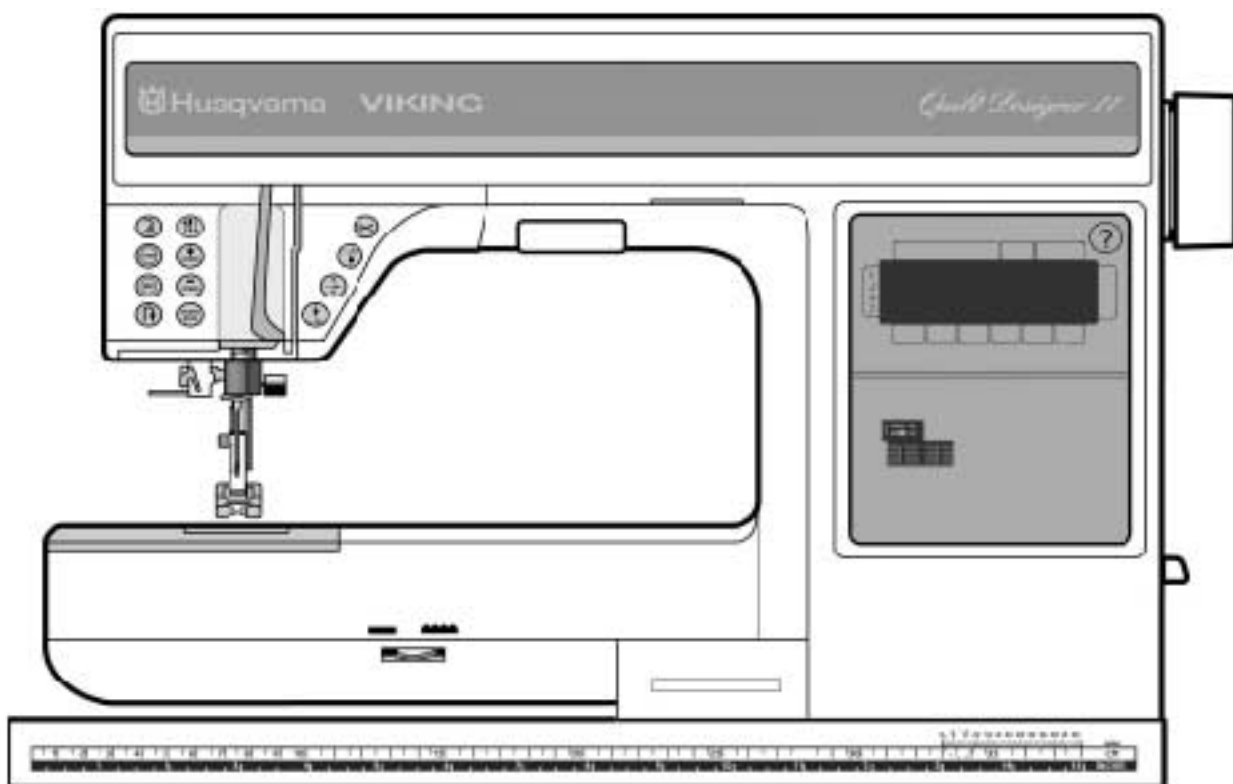


Parts List

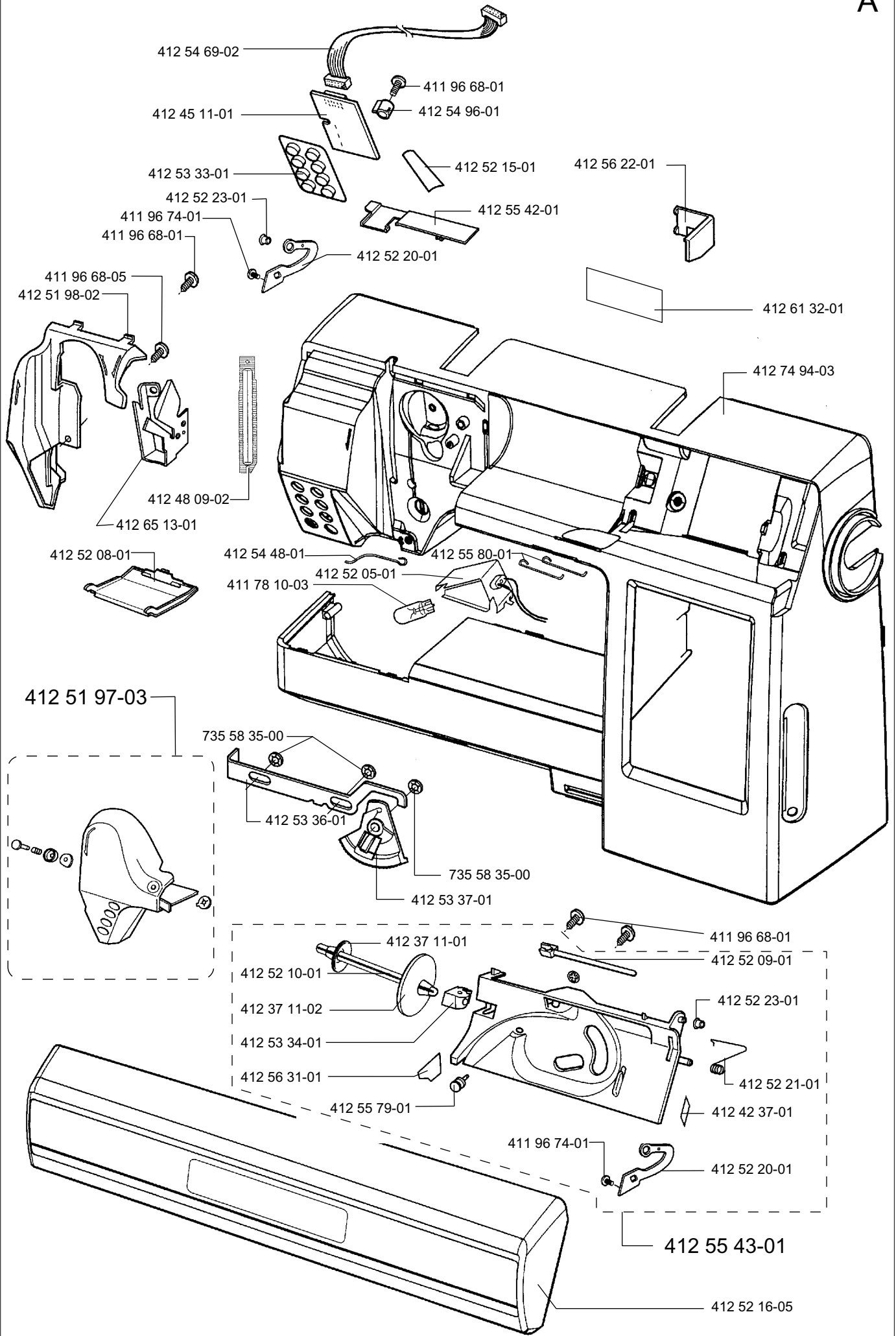


Quilt Designer II

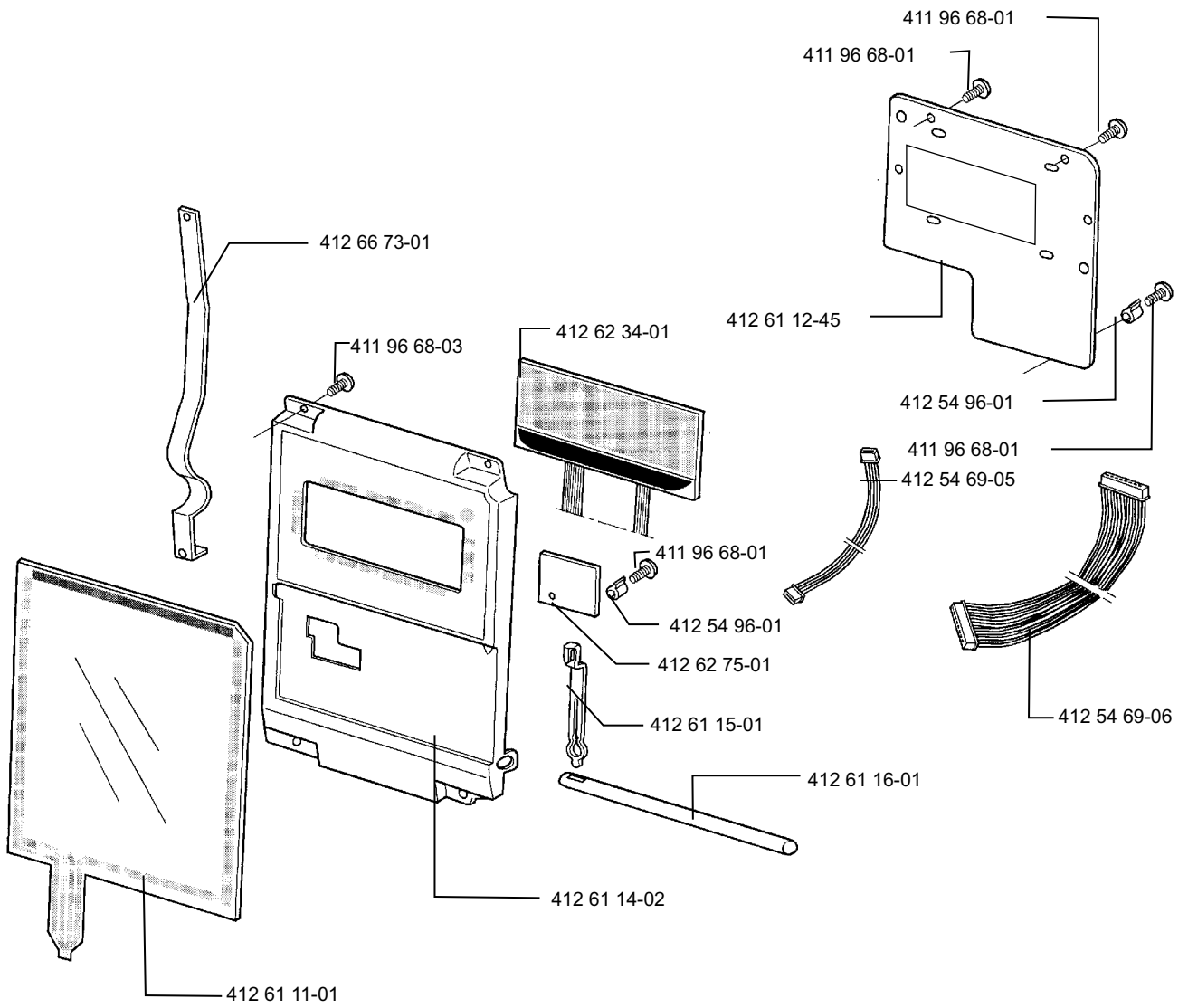
Part nr	Part description	Page	Part nr	Part description	Page
411 72 10-01	Washer	G	412 45 23-01	Knife, compl	B
411 75 00-08	Needle bar	K	412 45 24-01	Knife holder	B
411 75 03-02	Screw	K	412 45 38-01	Circuit bord, push buttons right	M
411 75 04-01	Screw	K	412 46 45-01	Screw	E
411 78 10-03	Lamp	A, K	412 47 16-01	Thread tension	E
411 96 68-01	Screw	A, D, K, P	412 49 49-01	Distance	C
411 96 68-03	Screw	A, B, K	412 50 01-01	Sewing head, frame compl	K
411 96 68-04	Screw	K	412 50 06-01	Bearing	K
411 96 68-05	Screw	A, M	412 50 08-01	Gear segment	K
411 96 68-10	Screw	B	412 50 09-01	Spring	K
411 96 68-12	Screw	C	412 50 10-01	Spring	K
411 96 68-21	Screw	K	412 50 11-01	Link	K
411 96 68-24	Screw	K	412 50 15-01	Bearing	K
411 96 71-07	Screw	C	412 50 19-01	Back holder, needle threader	K
411 96 72-04	Screw M 3*6	P	412 50 20-01	Front holder, needle threader	K
411 96 73-06	Screw 25*6	R	412 50 21-01	Needle threader	K
411 96 74-01	Screw	A	412 50 22-01	Setting plate	K
411 96 75-01	Washer	M	412 50 23-02	Eccentric needle adjust.	K
412 00 13-01	Washer	E	412 50 24-01	Cross head compl.	K
412 05 60-01	Screw	C	412 50 27-01	Calibration stop	K
412 05 60-04	Screw	A, F, H, P	412 50 31-01	Rack compl.	K
412 05 60-06	Screw	B, C, F, H, I, L	412 50 34-01	Pressar bar lifter	K
412 05 60-10	Screw	C, F	412 50 41-01	Spring	K
412 05 60-11	Screw	G, P	412 50 42-01	Connecting Board, sewing head	K
412 05 60-12	Screw M 4*6	P, R	412 50 43-01	Lamp holder compl.	K
412 15 27-01	Cog wheel	F	412 50 46-01	Wedge	K
412 15 78-01	Cord device 220 V	N	412 50 47-01	Clamp ring	K
412 15 79-03	Cord device 120 V	N	412 50 48-01	Clamp ring	K
412 15 80-02	Power cord UK	N	412 50 52-01	Plate	K
412 15 81-01	Cord device Australia	N	412 50 55-01	Frame , lower	K
412 15 98-01	Spring	N	412 50 56-01	Step motor	K
412 18 45-01	Foot	N	412 50 60-01	Side feeding unit	F
412 19 53-01	Washer	F	412 50 63-01	Draw bar	F
412 21 14-03	Screw	K	412 50 64-01	Cog segment	F
412 21 14-04	Screw	K	412 50 65-01	Clamp	F
412 21 14-06	Screw	K	412 50 66-01	Draw bar	F
412 21 14-14	Screw	C	412 50 72-01	Spring	H
412 21 14-20	Screw	G	412 50 73-01	Eccentric	F
412 22 98-01	Nut	H	412 50 87-01	Spring	D
412 28 19-02	Screw	G, K	412 50 88-01	Damper	D
412 28 54-02	Presser bar	K	412 50 89-01	Thread cutter gearbox	D
412 28 79-01	Screw	D	412 50 97-01	Slide	D
412 30 06-01	Driver	L	412 51 01-01	Thread hook	D
412 30 07-01	Spring	L	412 51 05-01	Cover, thread cutter	D
412 30 08-01	Pully	L	412 51 28-01	Step motor compl.	D
412 30 09-02	Handwheel	L	412 51 31-01	Cable, thread sensor compl	D
412 30 30-01	Guide arm	K	412 51 33-01	Bobbin holder	D
412 30 50-01	Foot	C	412 51 34-01	Bobbin hatch	D
412 30 55-01	Rubber ring	B	412 51 36-01	Feed unit	G
412 30 66-01	Shaft	E	412 51 37-01	Guide compl. With carriger	G
412 31 69-01	Spring	K	412 51 43-01	Block, guide	G
412 31 79-01	Clutch	L	412 51 44-01	Feed carriage	G
412 31 81-01	Clamp	I	412 51 49-01	Spring	G
412 31 84-01	Bushing, feed dog	G	412 51 50-01	Feed dog compl.	G
412 31 89-01	Regulating unit	N	412 51 51-01	Feed dog	G
412 32 27-04	Bobbin winding unit	B	412 51 53-01	Spring	G
412 32 33-02	Sealing washer	B	412 51 54-01	Lever, Feed lift	G
412 32 34-08	Step motor compl. Z-Z	K	412 51 55-01	Spring	G
412 32 34-09	Step motor compl. Feeding	H	412 51 56-01	Stop ring	G
412 32 84-01	Clamp	I, L	412 51 63-01	Worm gear	I
412 33 62-01	Cog wheel	K	412 51 64-01	Holder, stopright card	C
412 33 75-01	Spring	F	412 51 68-01	Lower shaft	I
412 33 93-01	Attatchment, motor	C	412 51 69-01	Eccentric feed	I
412 33 94-01	Muffler, motor	C	412 51 70-01	Distance	I
412 33 97-02	Motor	C	412 51 76-01	Accessory box	O
412 34 26-01	Spring	B	412 51 78-01	Embroidery box compl.	S
412 34 50-01	Eccentric	B	412 51 90-01	Housing, Thread tension	M
412 34 51-01	Adjusting arm	B	412 51 91-01	Sensor	M
412 34 54-01	Cog belt, motor	L	412 51 92-01	Spring	M
412 34 60-01	Stop ring	I	412 51 94-01	Adjusting sleeve	M
412 34 81-01	Spring	H	412 51 95-01	Push buttons	M
412 34 82-01	Screw	H	412 51 98-02	Thread guide	A
412 34 85-01	Joint cross	H	412 52 05-01	Lamp comp.	A
412 34 88-01	Fastner	H	412 52 08-01	Lamp guard	A
412 34 96-01	Cablage, motor	C	412 52 09-01	Thread holder	A
412 34 97-02	Cablage for PC Board	C	412 52 10-01	Reel pin	A
412 35 26-01	Washer	I	412 52 14-01	Spring	M
412 35 33-02	Driving wheel compl.	C	412 52 15-01	Heat protector	A
412 35 42-01	Pully	I	412 52 16-05	Lid cover	A
412 35 62-01	Pin	B	412 52 20-01	Hinge	A
412 36 83-03	Arm shaft compl.	L	412 52 21-01	Spring	A
412 36 84-01	Cog belt	L	412 52 23-01	Bushing	A
412 36 87-01	Pin	L	412 52 25-01	Back cover, upper	B
412 37 11-01	Thread real disc (small)	A	412 52 26-01	Handle	B
412 37 11-02	Thread real disc (big)	A	412 52 28-01	Back cover, free arm	B
412 37 82-01	Nut	G	412 52 30-01	Cover plate, embroidery	B
412 39 47-01	Washer, hook	E	412 52 33-02	Base plate, cover	C
412 40 97-01	Screw	K	412 52 34-01	Base plate	C
412 42 37-01	Knife	A, B, D	412 52 92-01	Cover	O
412 44 40-02	Hook	E	412 53 03-01	Screen	I
412 44 44-01	Gear	E	412 53 30-01	Stitch plate	D
412 44 69-01	Grip 150x240	S,	412 53 33-01	Push buttons	A
412 44 87-01	Spring, bobbin winding	B	412 53 34-01	Guide, real pin	A
412 45 11-01	Circuit board, push buttons left	A	412 53 36-01	Link	A

Part nr	Part description	Page
412 53 37-01	Knob, feed dog lowering	A
412 54 02-01	Feeding unit	H
412 54 06-01	Calibration stop	H
412 54 08-01	Cog wheel	H
412 54 10-01	Shaft	H
412 54 48-01	Thread guide	A, M
412 54 52-01	Cog segment	D
412 54 53-01	Lever	D
412 54 54-02	Fetcher	D
412 54 56-01	Spring	C
412 54 67-01	Transformer compl.	A
412 54 69-01	Cable, conn card, sewing head	C
412 54 69-02	Cable, conn card- left	A
412 54 69-03	Cable, conn card- right	M
412 54 69-04	Cable, conn card, stop right	C
412 54 69-05	Cable compl 8pol	A
412 54 69-06	Cable compl 18pol	A
412 54 96-01	Holder	A
412 54 97-01	Tap, thread guard	M
412 54 98-01	Washer	M
412 55 01-01	Bobbin case compl.	E
412 55 40-01	Frame Y-unit	R
412 55 42-01	Cable holder	A
412 55 43-01	Cover, bobbin winding	A
412 55 48-01	Step motor, thread tension	M
412 55 62-01	Step motor	F
412 55 79-01	Thread guide	A
412 55 80-01	Thread guide	A
412 55 81-01	Washer	M
412 55 82-01	Cable	C
412 55 84-01	Damper	L
412 55 93-01	Circuit board, stop right	C
412 56 13-01	Cutter, thread brake	D
412 56 15-45	Bobbin 10 pack	E
412 56 22-01	Cable holder, arm shaft	A
412 56 31-01	Thread guide	A
412 56 43-04	Transformer	C
412 56 54-01	Accessories , Embroidery	S
412 56 85-01	Dust cover	E
412 56 86-01	Adjusting washer	E
412 56 97-01	Distance, back cover	B
412 57 75-03	Cable holder	C
412 57 78-01	ESD-cable	H
412 58 25-01	Screw	K
412 58 99-01	Distance	B
412 59 01-01	Cog wheel	M
412 59 11-01	Cable	K
412 59 78-01	ESD-spring	C
412 60 01-01	Needle bar frame	K
412 60 02-01	Sewing head	K
412 60 03-01	Thread take up	K
412 60 04-01	Hook cover	D
412 60 05-01	Thread tension unit	M
412 60 06-01	Washer set, thread tension	M
412 60 10-01	Distance, step motor	M
412 61 09-01	Circuit board	C
412 61 10-01	Front cover	A
412 61 11-01	Touch board	A
412 61 12-01	LCD-board	A
412 61 14-01	Frame	A
412 61 15-01	Lever	A
412 61 16-01	Plastic button	A
412 61 31-01	Spring	M
412 61 32-01	Heat protector,	A
412 61 33-01	Lever	M
412 61 39-02	Cover, thread tension	A, M
412 61 61-01	Ankel	K
412 62 34-01	LCD	A
412 62 75-01	Memory connector	A
412 63 55-01	D-card A utility compl.	O
412 63 66-01	D-card N Fashion compl.	O
412 63 68-01	D-card Block alphabet compl.	O
412 65 13-01	Thread guide	A
412 66 32-01	Threading device compl.	K
412 66 73-01	Spring	A
412 66 96-01	D-card Service	O
412 77 34-01	Foot control compl.	N
412 77 64-05	Plastic bag with acc.	O
412 77 69-01	Oil protection	E
412 79 50-01	Knife slide	D
412 80 24-01	Foot control covers	N
412 81 39-01	Hook cover Cpl.	D
721 41 69-70	Pin	H
721 41 87-70	Pin	I, L
721 42 10-10	Pin	I
725 52 20-05	Screw M3*6	H
725 52 28-05	Screw	K
728 52 17-05	Screw	F, H, M, K
728 52 18-05	Screw	K
728 52 22-05	Screw M3*8	K
728 52 83-05	Screw M4*4	I, G
728 52 85-05	Screw	K
728 52 87-05	Screw M4*8	E
728 53 20-05	Screw	L

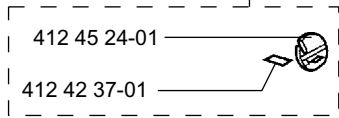
Part nr	Part description	Page
728 73 20-01	Screw	L
728 73 64-05	Screw 6*10 mm	C
728 82 83-05	Screw	I, L
734 11 12-71	Washer	D
734 11 25-41	Washer	K
735 21 36-01	Washer	C
735 31 05-00	C-Washer	M
735 31 08-20	C-Washer	E, P
735 58 23-00	Washer	M
735 58 35-00	Locking washer	A
735 58 55-00	Washer	L
735 61 13-40	C-Washer	D
735 61 18-40	C-Washer	K
735 61 36-40	C-washer	F, K
735 61 53-40	C-Washer	K
PRESSERFEETS		
411 73 95-01	Edge guide G	O
411 85 30-01	Presser foot H	O
412 00 16 -01	Presser foot decorative stitches	O
412 03 73-01	Presser foot A	O
412 34 65-01	Presser foot S	O
412 37 08-01	Quilting foot P	O
412 38 01-01	Presser foot B	O
412 38 02-01	Buttonhole foot C	O
412 38 04-01	Presser foot D	O
412 38 05-01	Zipper foot E	O
412 38 06-01	Presser foot J	O
412 40 80-01	Button hole meter, comp.	O
412 43 37-01	Presser foot R	O
D-cards		
412 73 95-05	D-card E1 Quilt / Applique	O
412 73 95-14	D-card A utility complete	O
412 73 95-15	D-card N Fashion complete	O
412 73 95-16	D-card Blockalphabet complete	O
412 73 95-17	D-card Service	O
ACCESSORIES		
401 53 99-01	Buttonhole knife	O
401 55 55-01	Brush	O
411 17 32-01	Clearance plate	O
412 08 38-47	Marking pen, neutral	O
412 56 15-45	Bobbins (10)	O
412 36 14-01	Stitch plate opener	O
412 38 15-01	Screw driver	O
412 39 77-01	Net	O
412 44 77-01	Siccor	O
412 49 06-01	Templet pencil	O
Users Guide		
412 82 84-01	Users Guide Swe	O
412 82 84-06	Users Guide Den	O
412 82 84-10	Users Guide Jap	O
412 82 84-11	Users Guide Fin	O
412 82 84-21	Users Guide Nor	O
412 82 84-26	Users Guide Eng	O
412 82 84-31	Users Guide Fra	O
412 82 84-36	Users Guide Dutch	O
412 82 84-41	Users Guide Ita	O
412 82 84-46	Users Guide Spa	O
412 82 84-51	Users Guide Ger	O
412 82 84-56	Users Guide Rus	O



A



412 45 23-01



412 52 26-01

412 52 25-01

411 96 68-03

412 56 97-01

412 56 97-01

411 96 68-03

411 96 68-03

411 96 68-03

411 96 68-03

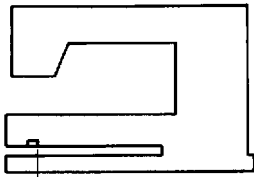
412 52 30-01

412 52 28-01

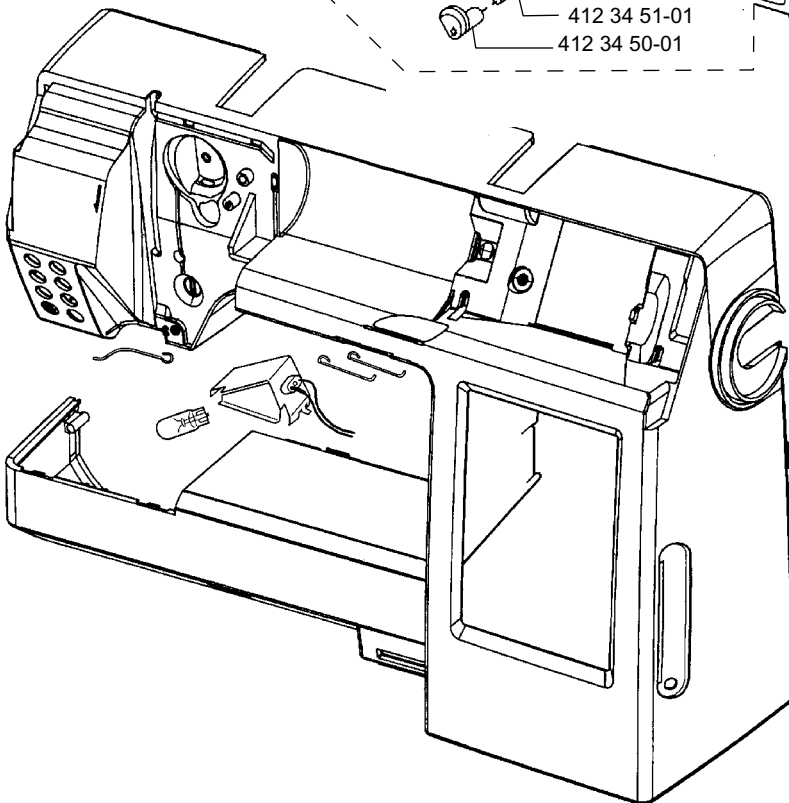
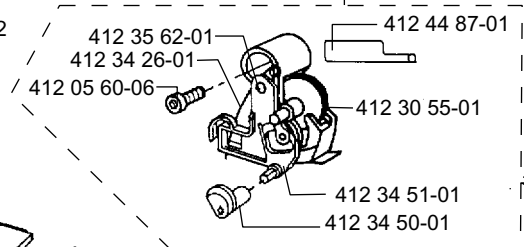
411 96 68-10

412 58 99-01

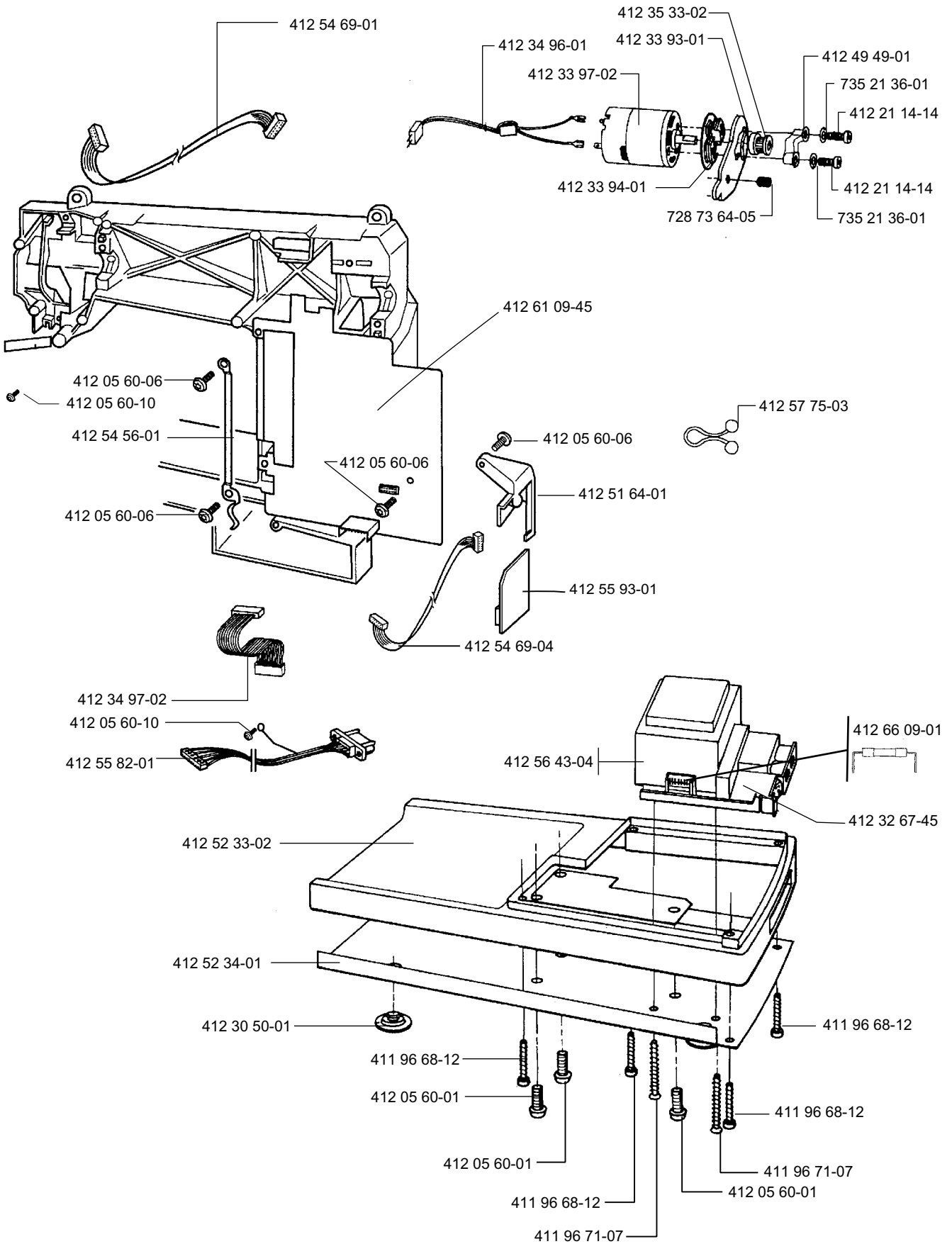
411 96 68-10



412 32 27-04



C



D

412 81 39-01

412 51 05-01

735 61 13-40

412 50 97-01

412 54 52-01

412 54 54-02

412 51 01-01

412 54 53-01

412 51 34-01

412 53 30-01

412 42 37-01

412 51 33-01

411 96 68-01

412 28 79-01

412 56 13-01

411 96 68-01

412 28 79-01

412 42 37-01

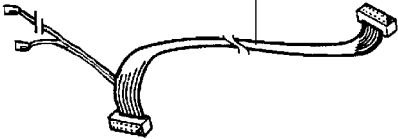


412 28 79-01

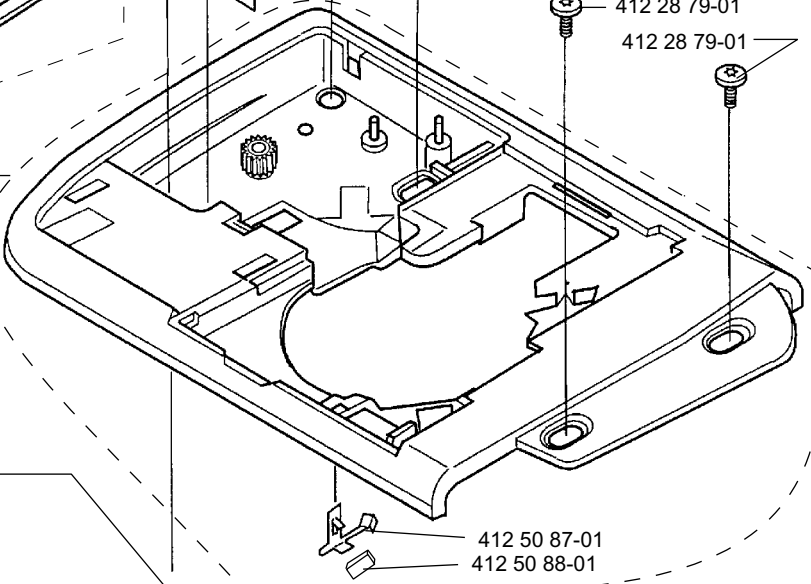
412 28 79-01

412 60 04-01

412 51 31-01

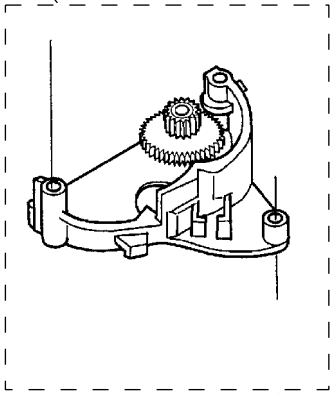


412 50 89-01



412 50 87-01

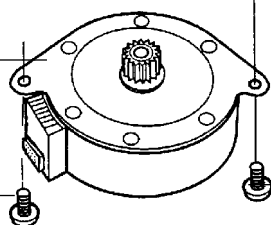
412 50 88-01

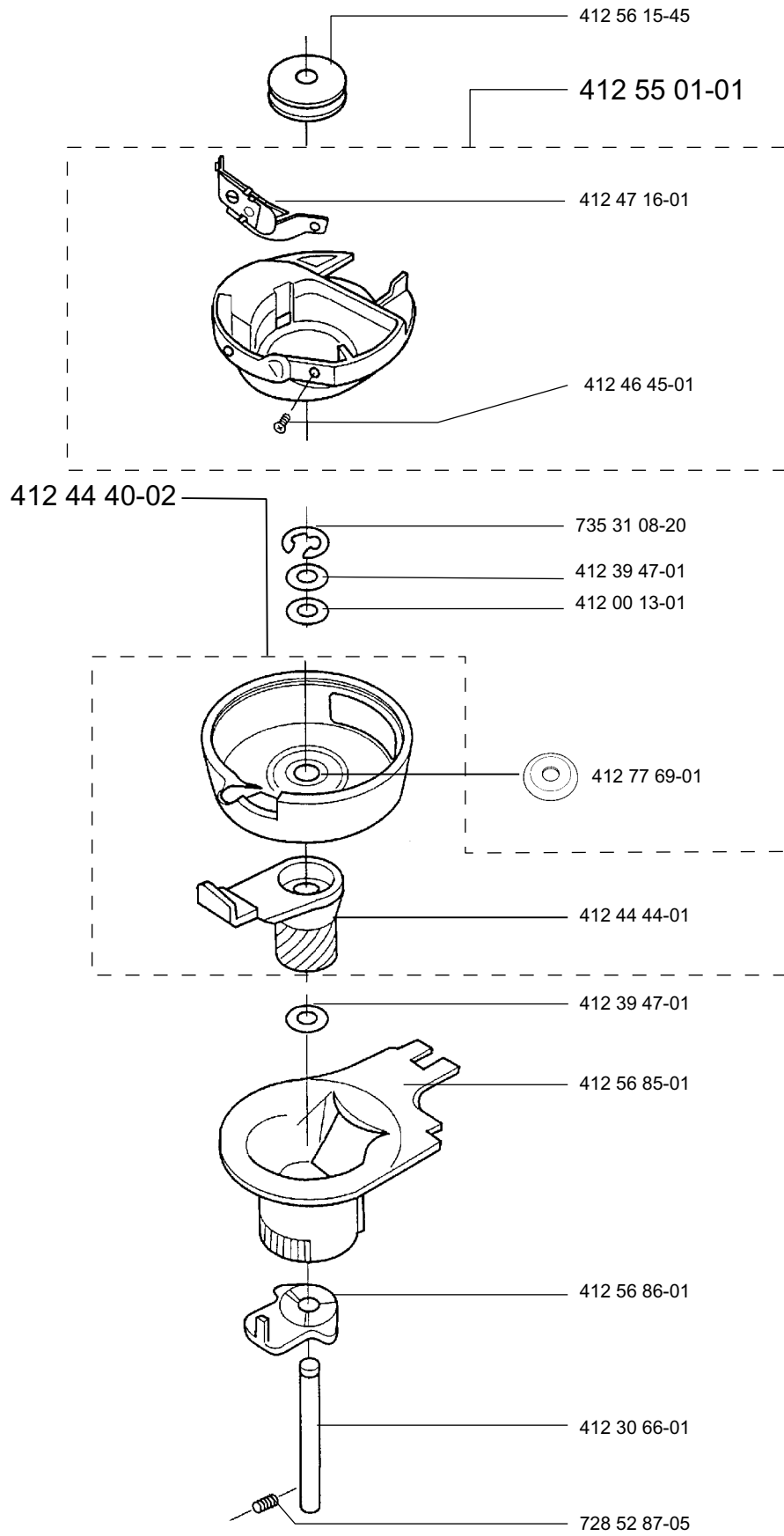


412 51 28-01

411 96 68-01

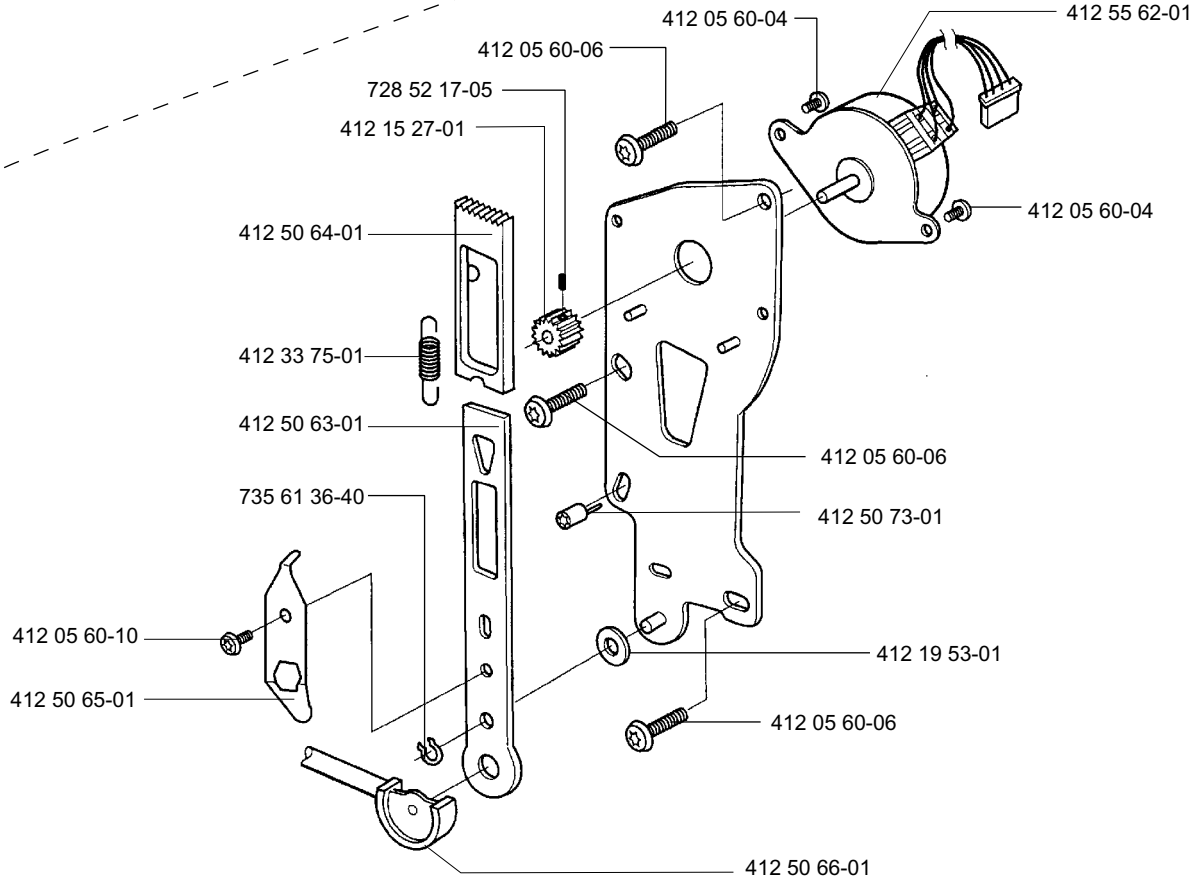
411 96 68-01





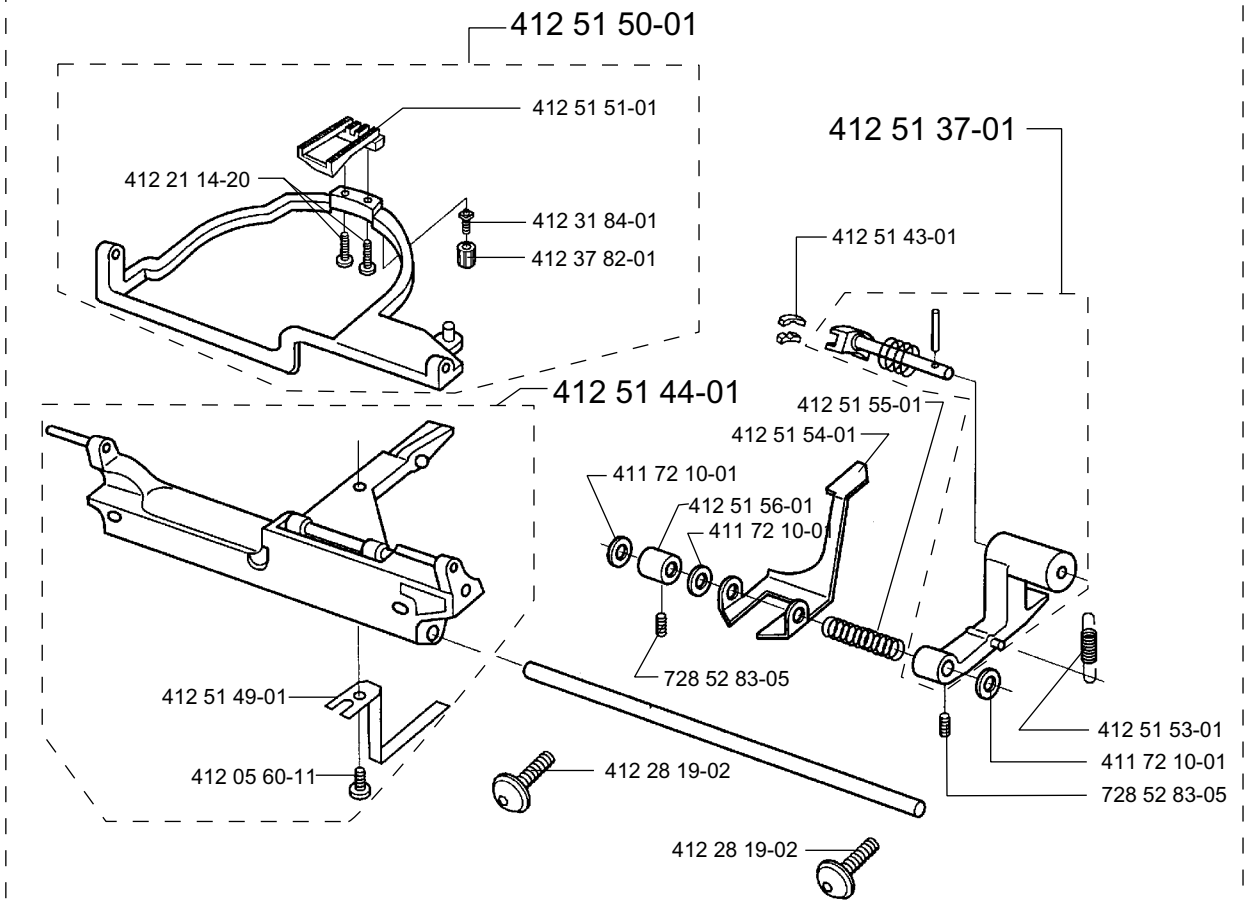
F

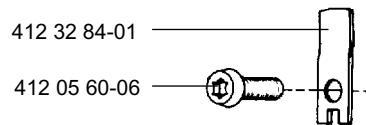
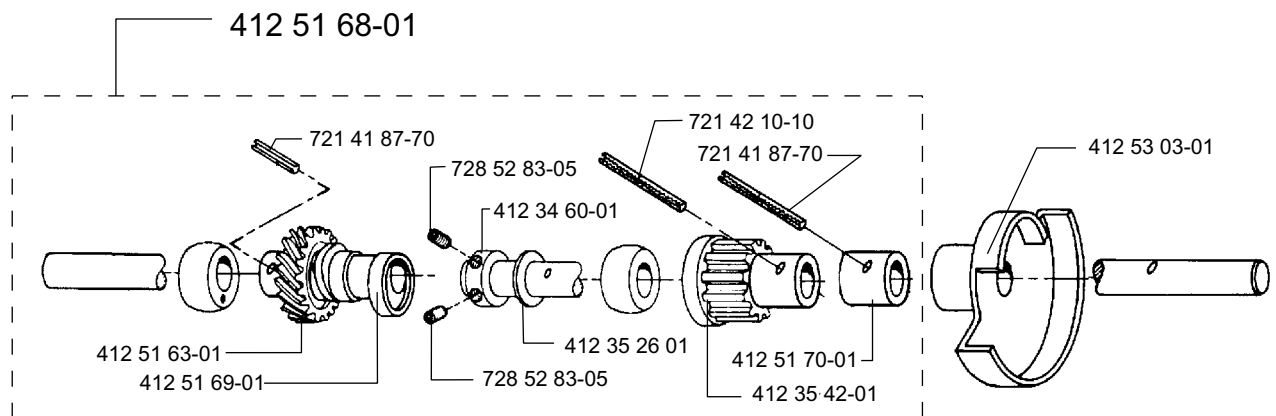
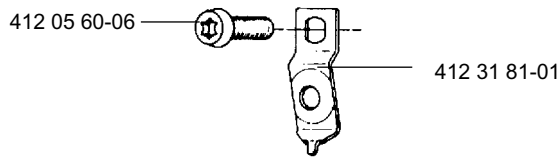
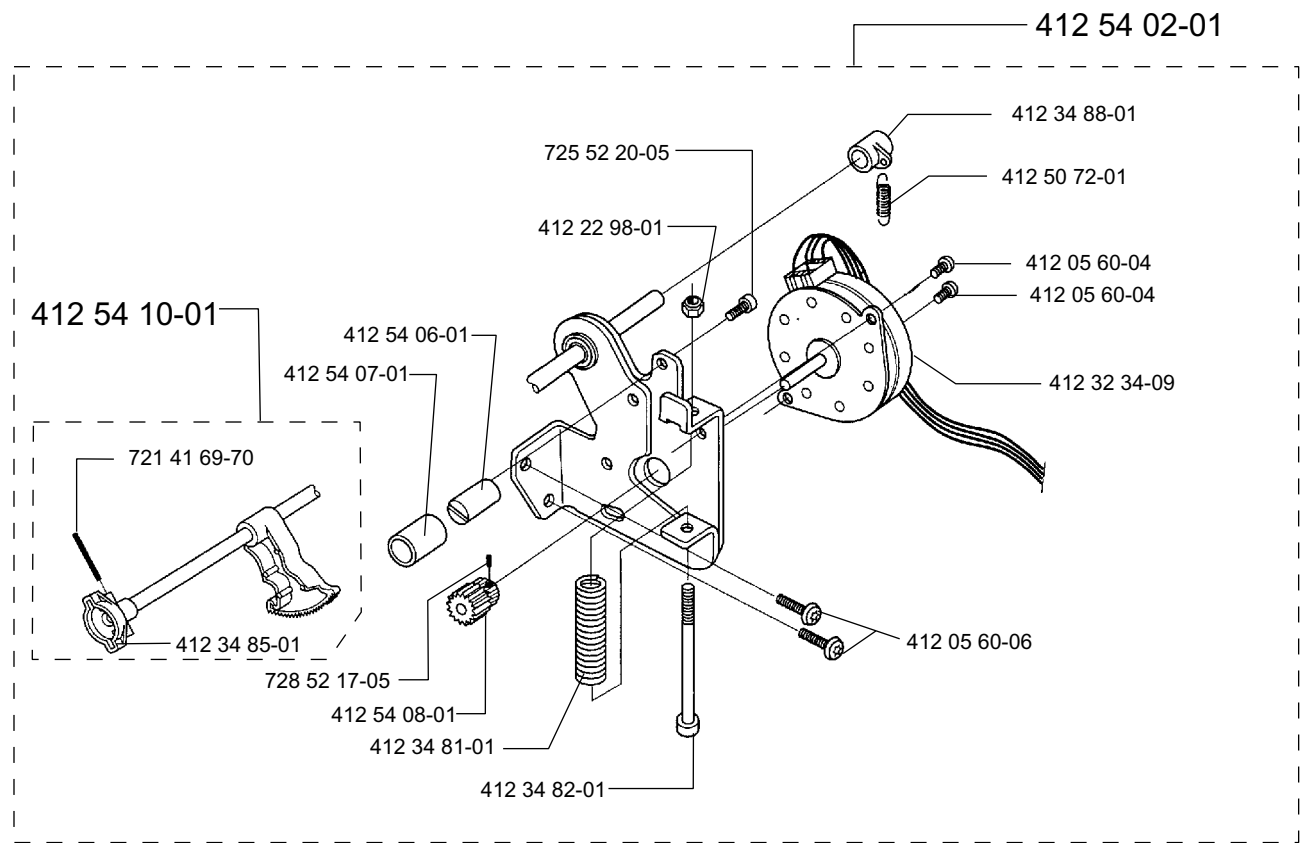
412 50 60-01



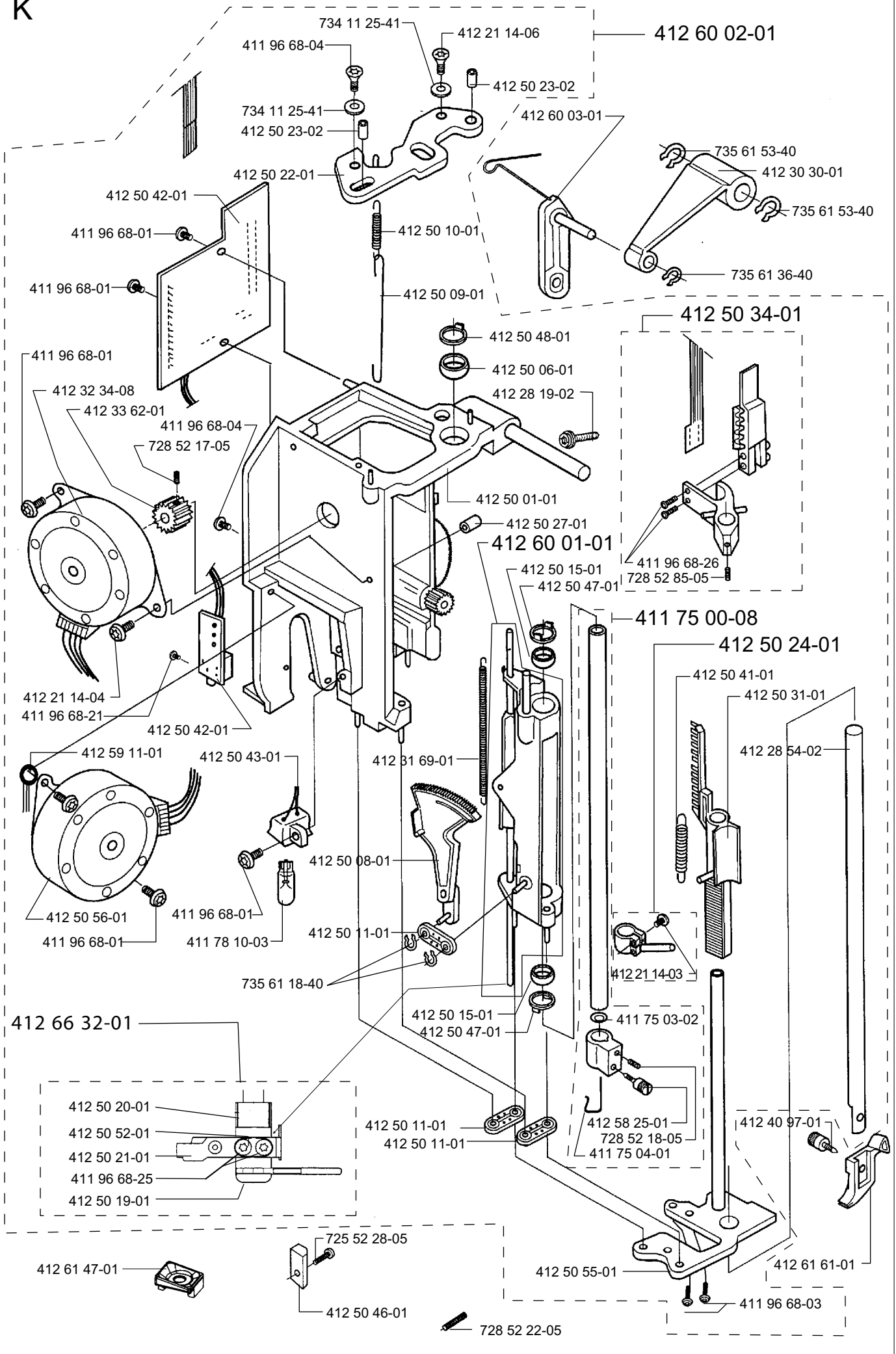
G

412 51 36-01

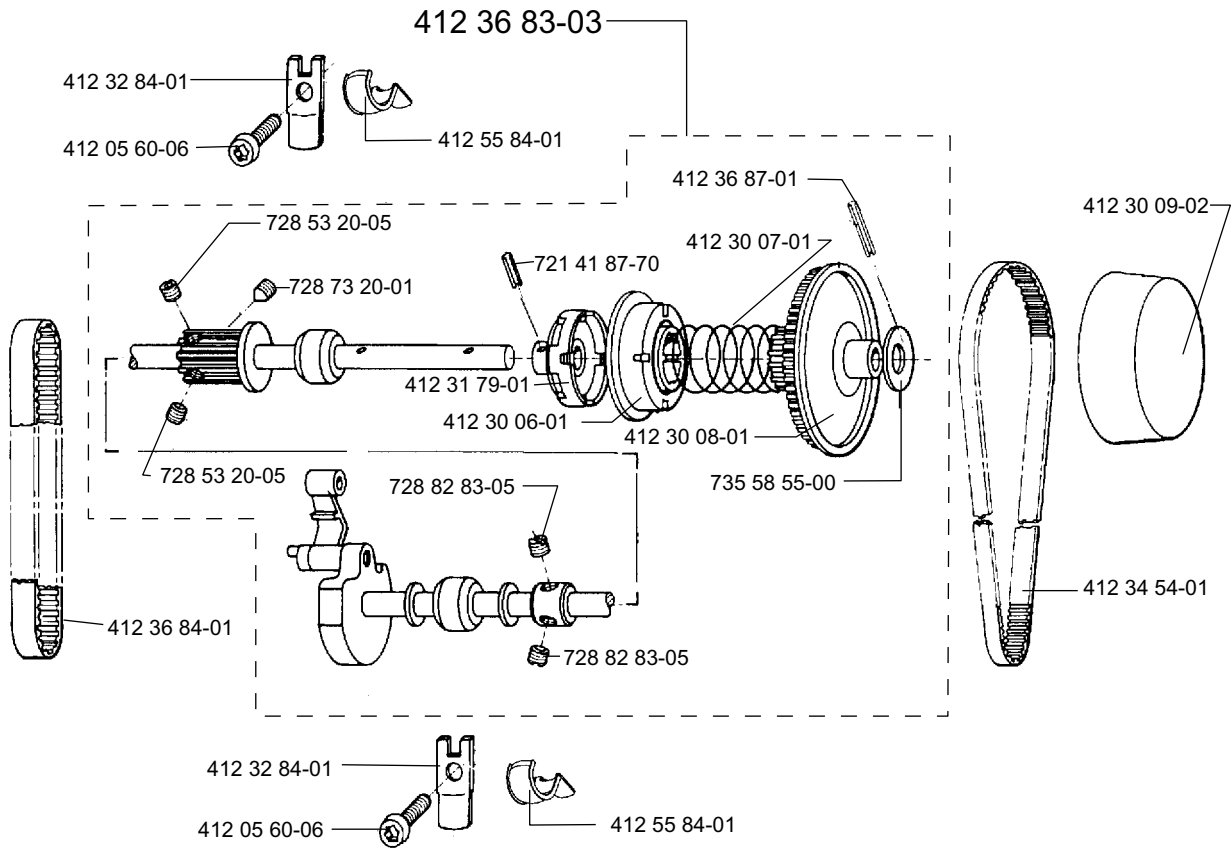




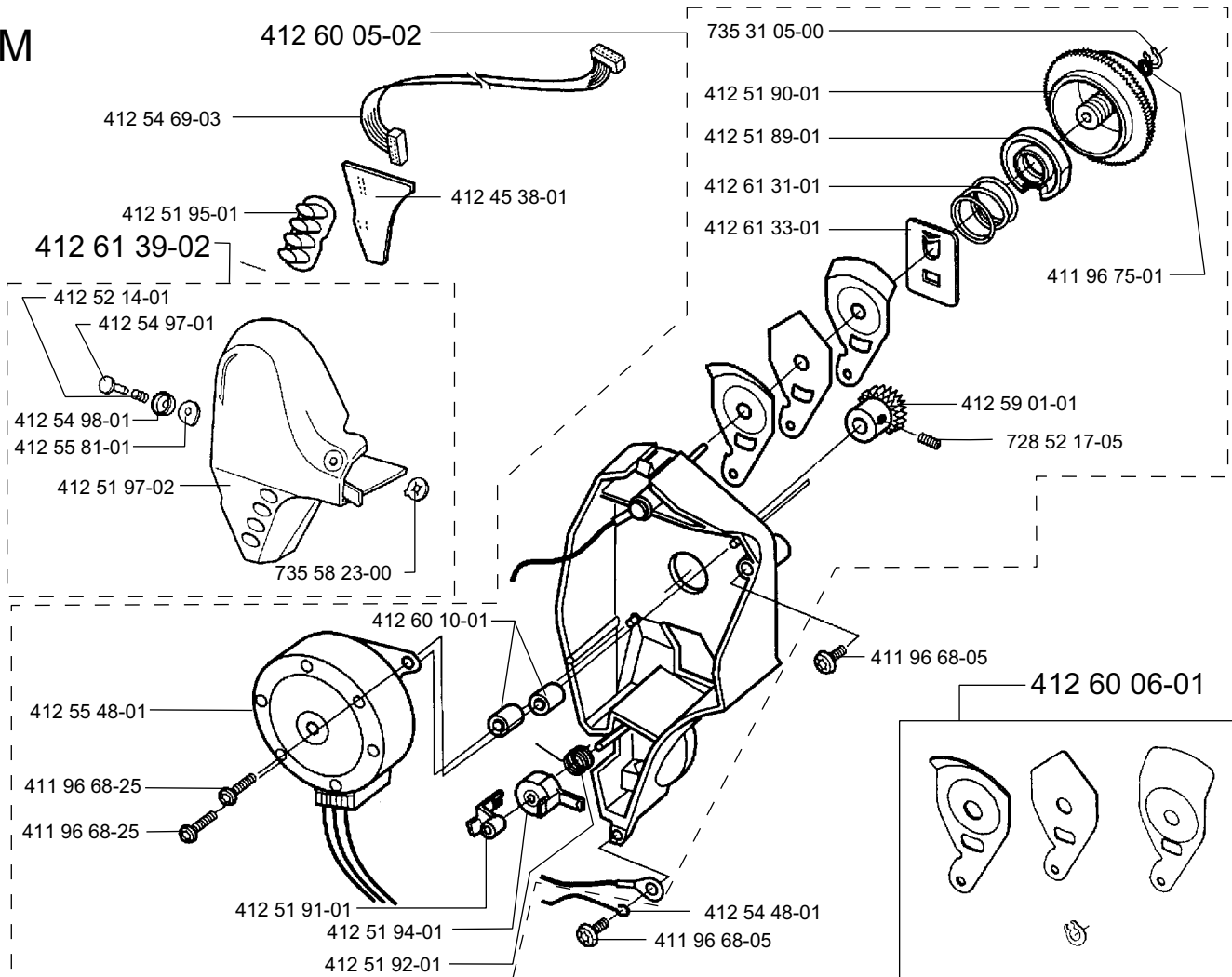
K



L

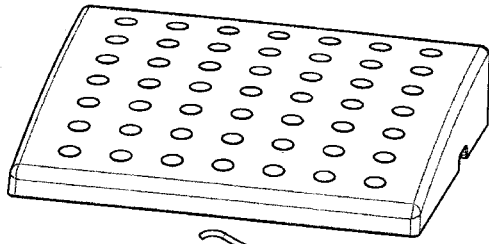


M

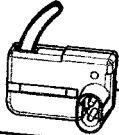


N

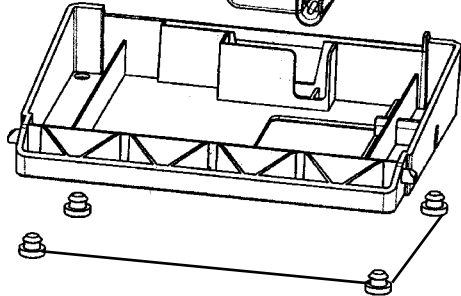
412 77 34-01



412 15 98-01

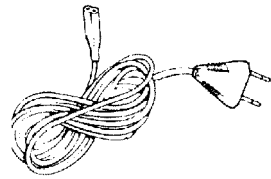
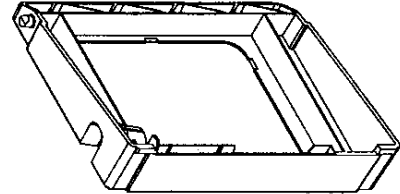
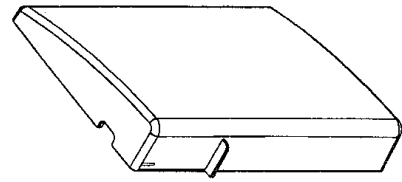


412 31 89-01

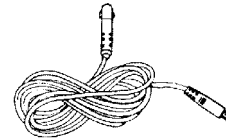


412 18 45-01

412 80 24-01



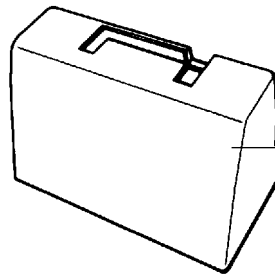
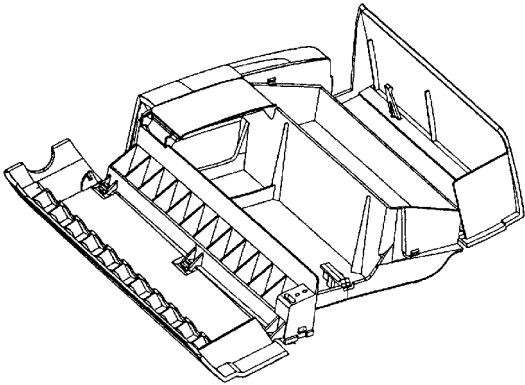
412 15 78-01
412 15 79-03
412 15 80-02
412 15 81-01



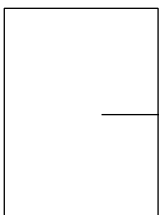
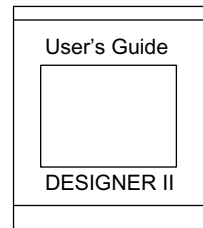
412 31 44-01
412 31 44-02

O

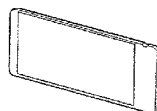
412 51 76-01



412 52 92-01



412 77 64-05
Bruch, bobbins,
Presserfeet etc



412 73 95-05 D-card E1 Quilt / Applique
412 73 95-14 D-card A utility compl.
412 73 95-15 D-card N Fashion compl.
412 73 95-16 D-card Blockalphabet
412 73 95-17 D-card Service

412 82 84-01 Users Guide Swe
412 82 84-06 Users Guide Den
412 82 84-10 Users Guide Jap
412 82 84-11 Users Guide Fin
412 82 84-21 Users Guide Nor
412 82 84-26 Users Guide Eng
412 82 84-31 Users Guide Fra
412 82 84-36 Users Guide Dutch
412 82 84-41 Users Guide Ita
412 82 84-46 Users Guide Spa
412 82 84-51 Users Guide Ger
412 82 84-56 Users Guide Rus